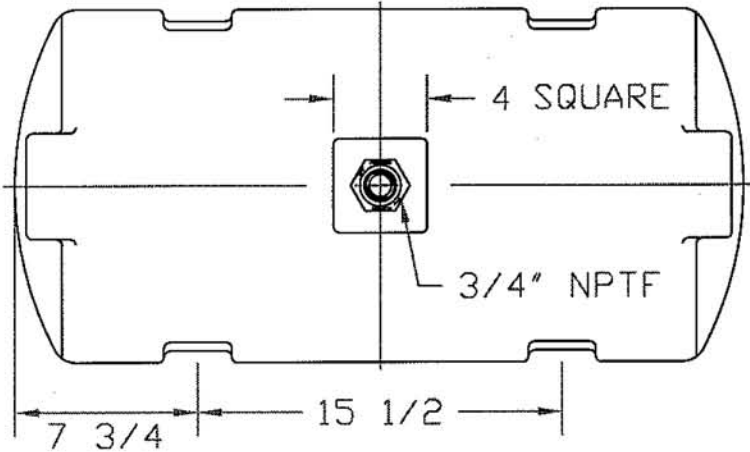
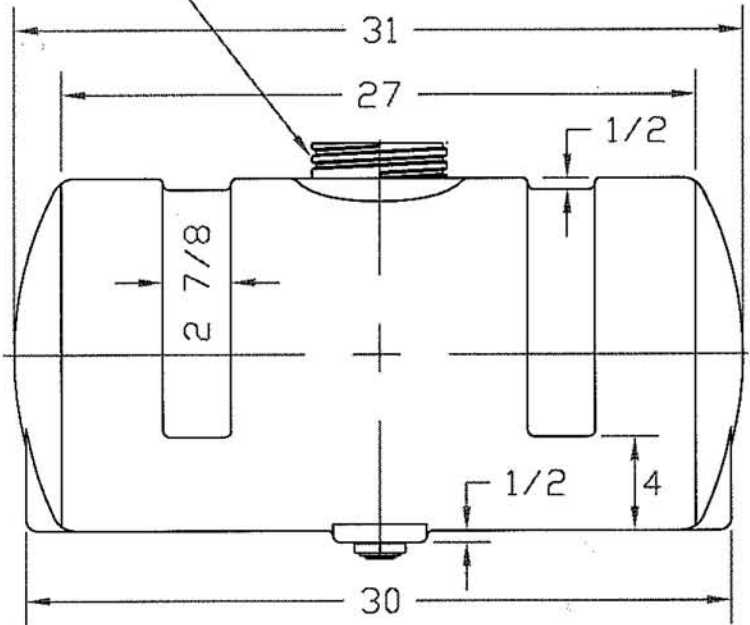
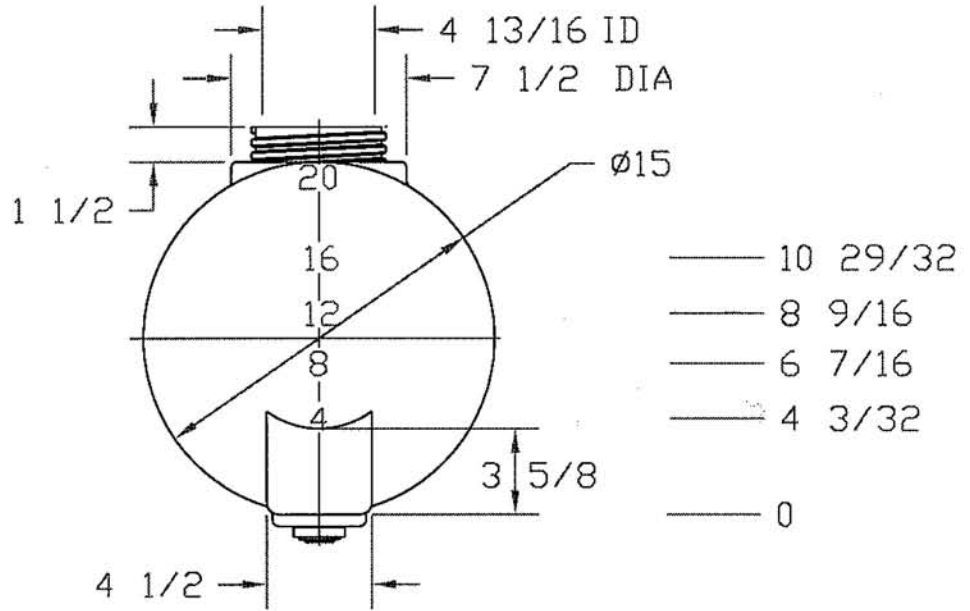


ACME THREAD  
 5-3/4 MAJOR DIA  
 5-3/8 MINOR DIA  
 9/16 PITCH



REVISIONS				
ZONE	REV	DESCRIPTION	DATE	APPROVED
	A	REDRAWN	25AUG97	
	B	LID THREAD REVISED	09FEB00	



GALLON MARKS ONE END ONLY

 **PEABODY**  
 engineering

20 GALLON APPLICATOR  
 TANK

JTP	25AUG97	SIZE A	FSCM NO.	DWG NO.	REV B
SCALE 1/8			SHEET		