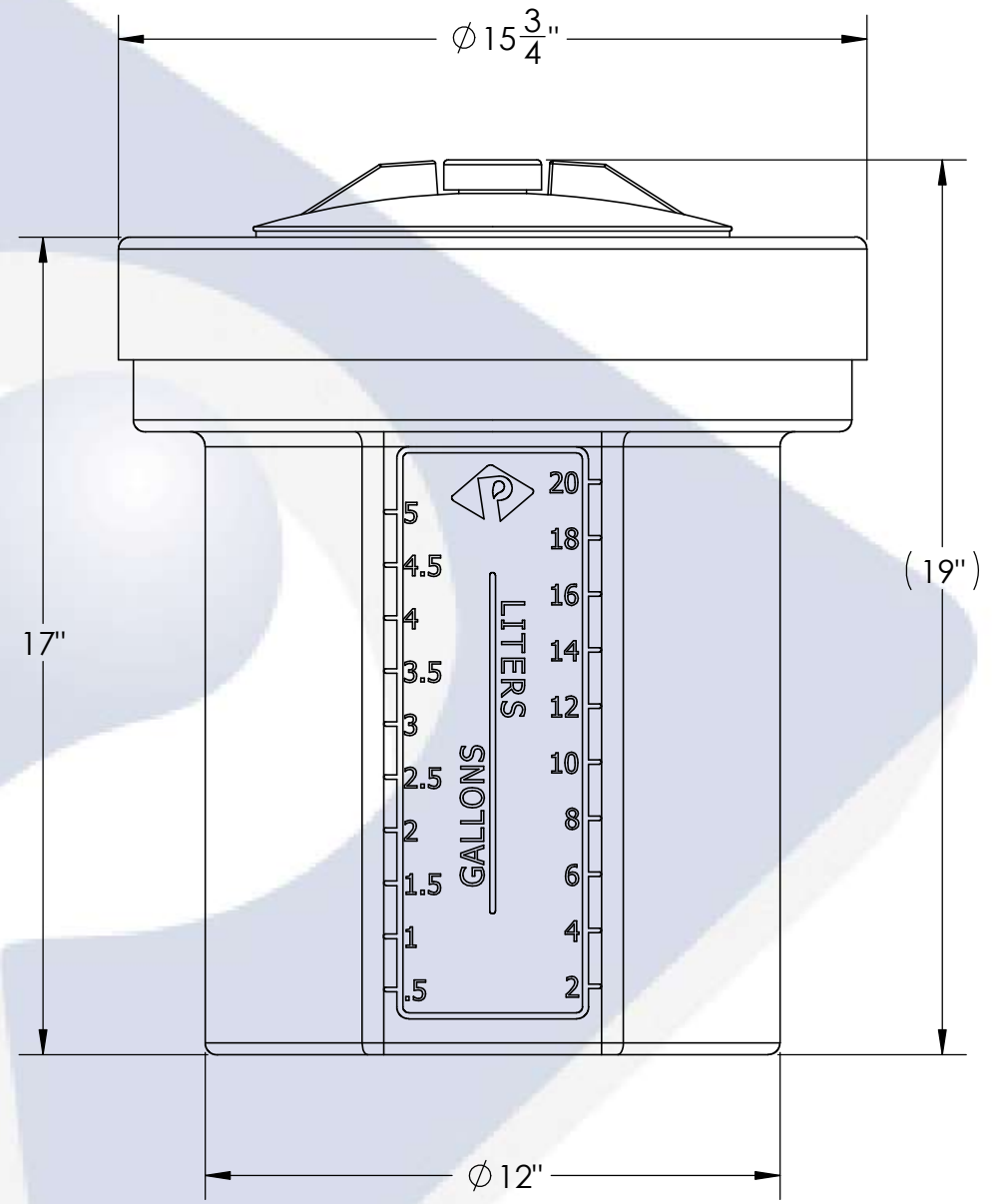
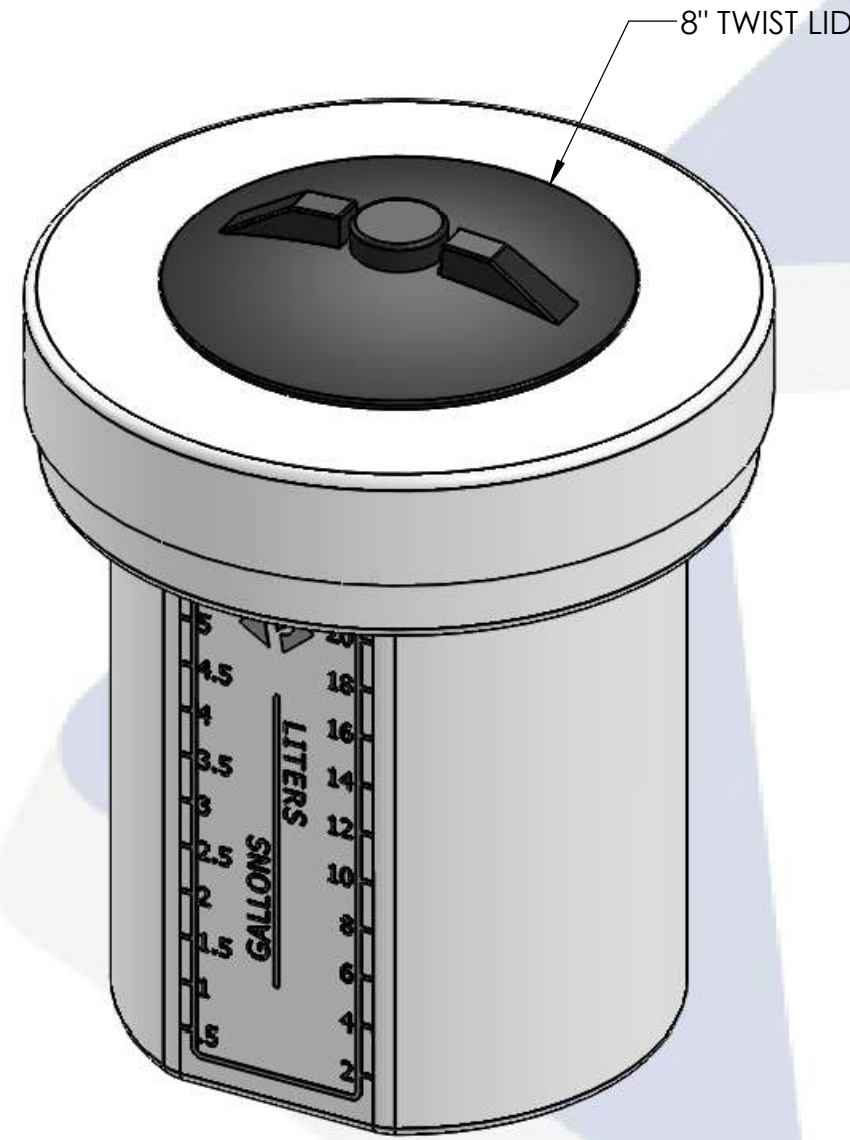


D
C
B
A



D
C
B
A

- NOTES:**
- CAPACITY: 5 GAL. NOMINAL
 - APPROXIMATE WEIGHT: 8 LBS
 - TANK MATERIAL: LLDPE W/ UV INHIBITOR
 - SERVICE PRESSURE: ATMOSPHERIC

PROPRIETARY AND CONFIDENTIAL
 THE INFORMATION CONTAINED IN THIS DRAWING IS THE SOLE PROPERTY OF PEABODY ENGINEERING. ANY REPRODUCTION IN PART OR AS A WHOLE WITHOUT THE WRITTEN PERMISSION OF PEABODY ENGINEERING IS PROHIBITED.

UNLESS OTHERWISE SPECIFIED:
 DIMENSIONS ARE IN INCHES
 TOLERANCES: ±1/4"
 ANGULAR: ± .5°
 ONE PLACE DECIMAL: ± .25
 TWO PLACE DECIMAL: ± .125
 THREE PLACE DECIMAL: ± .063

TANK MATERIAL: **HDPE**

INNER TANK S/N:

OUTER TANK S/N:

CUSTOMER PO#

DO NOT SCALE DRAWING

NAME	DATE
DRAWN MSM	4/23/14
CHECKED	
ENG APPR.	
MFG APPR.	
Q.A.	

ALTERNATIVE VERSIONS

MATERIALS: XLPE, PPL, PVDF
COLORS: NATURAL, BLUE OR BLACK
AVAILABLE WITH FRP WRAP

CALL FOR PART NUMBERS



PROJECT: 5 GALLON CLOSED TOP TANK ASSEMBLY	
CUSTOMER: PEABODY STANDARD	
SITE/LOCATION: -	
DRAWING#: 01-30353 (NATURAL)	
SIZE B	DESC. PEABODY 5 GA CLOSED TOP
SCALE: 1:4	REV. B
SHEET 1 OF 1	