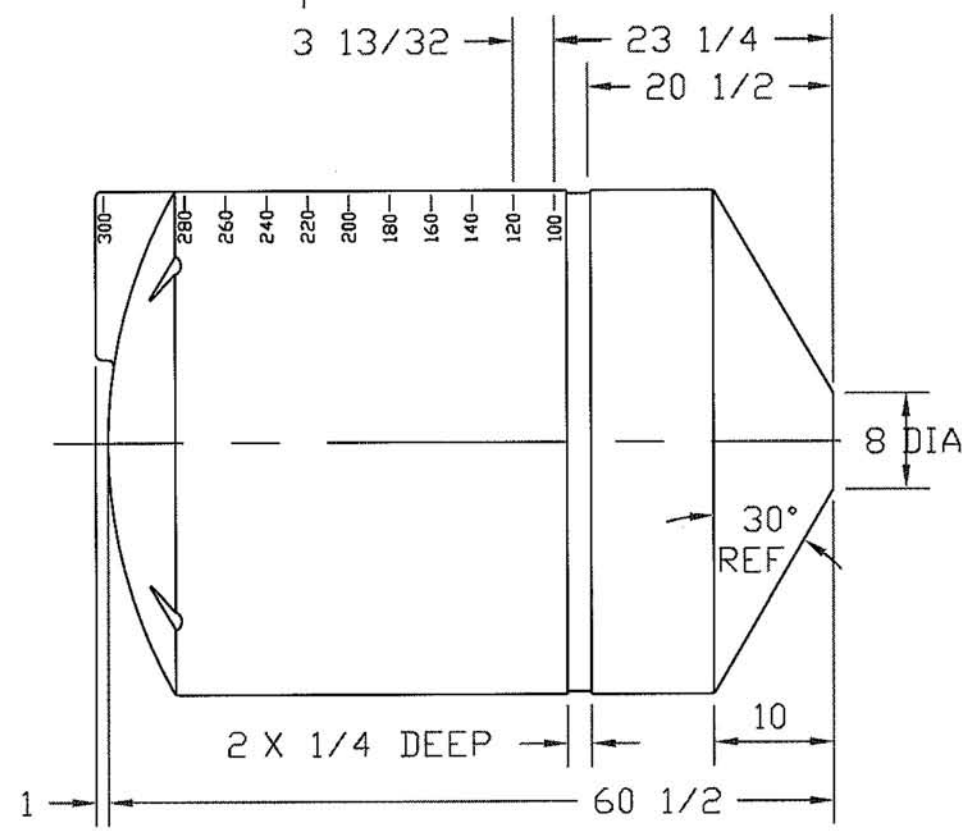
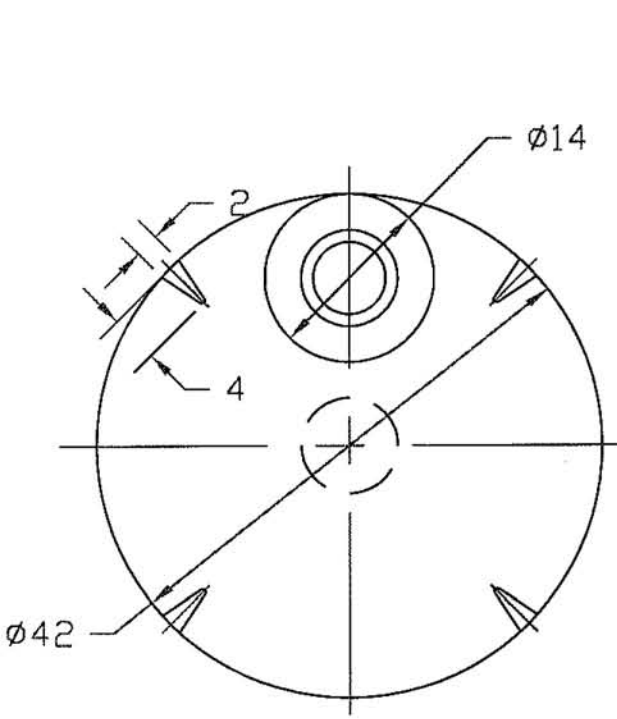



REVISIONS				
ZONE	REV	DESCRIPTION	DATE	APPROVED
	A	P/N WS 62443	01NOV01	



			
310 GALLON CONE BOTTOM TANK W/O STAND			
JTP	30JUN99	SIZE A	FSCM NO.
		DWG NO.	REV A
		SCALE 1/16	SHEET