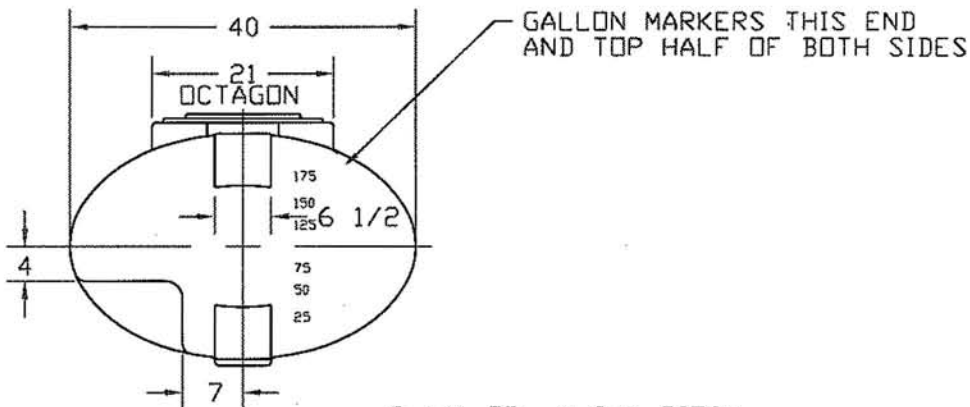
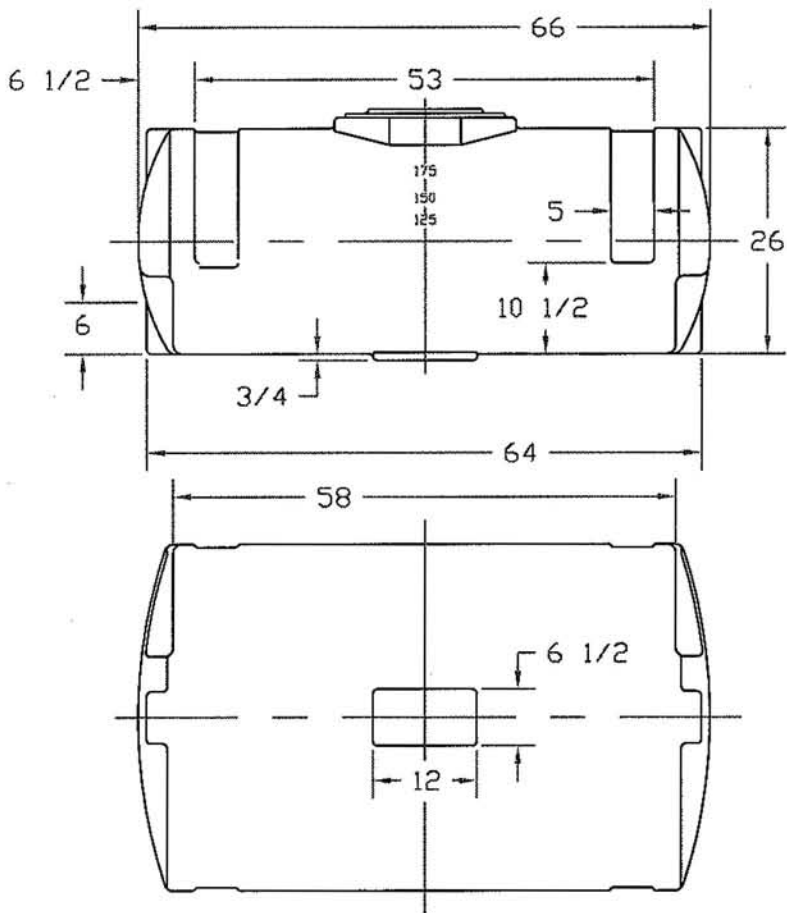
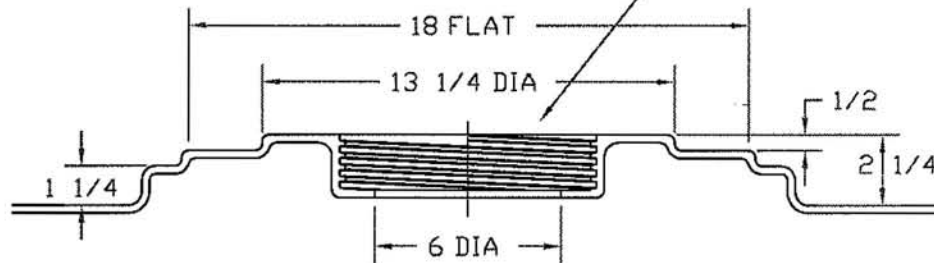



REVISIONS				
ZONE	REV	DESCRIPTION	DATE	APPROVED



8 1/4 OD X 3/4 PITCH
DOUBLE-LEAD ACME THREAD
FOR 60002 LID



FILLWELL DETAIL
1/4 SCALE

JTP 07SEP99		 PEABODY engineering		
		200 GALLON ELLIPTICAL SPRAYER TANK		
SIZE B	FSCM NO.	DWG NO.	REV	
SCALE 1/16		SHEET		