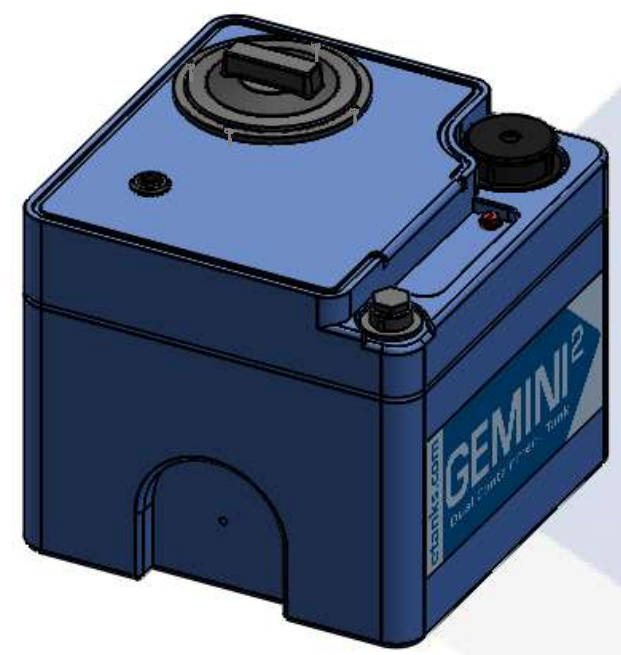
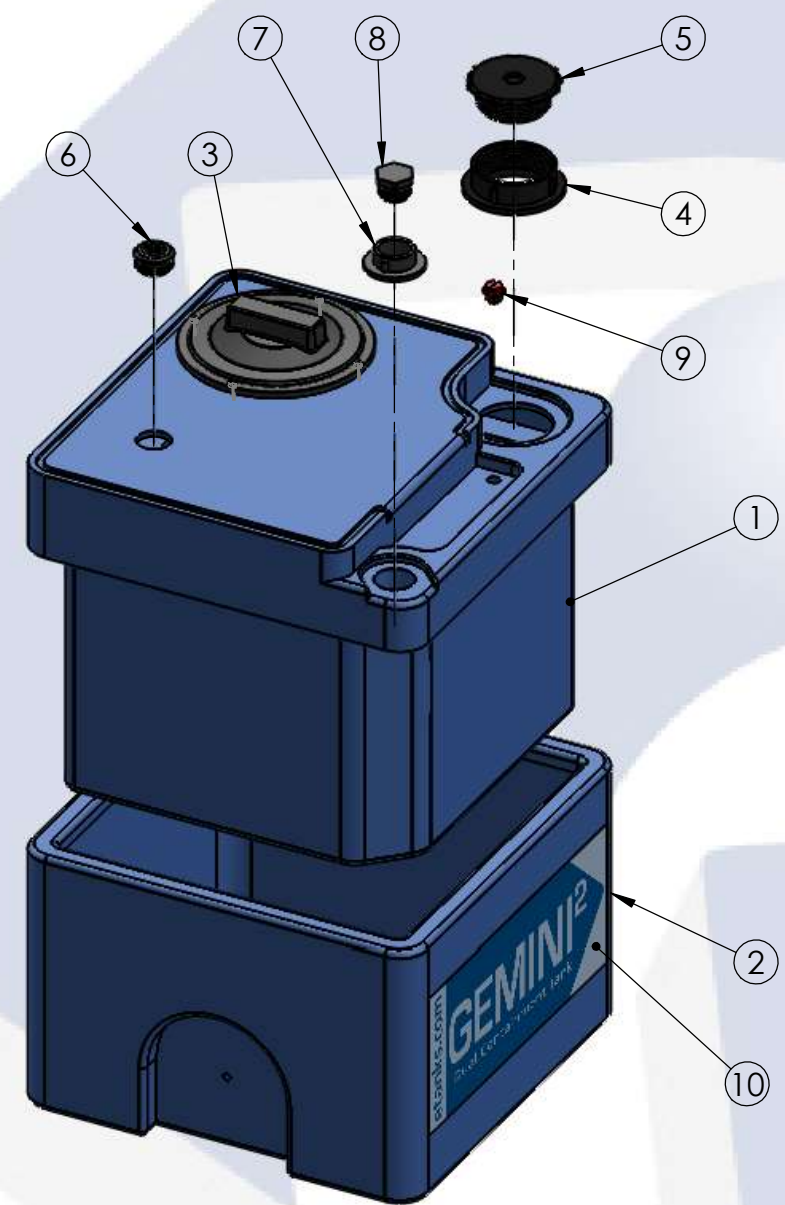


5 GALLON GEMINI ²	PART NUMBER	
	BLUE	NATURAL
STANDARD (1.5 SPG)	01-31922	01-31923
HD (1.9 SPG)	01-31924	01-31925



**ISO VIEW
(ASSEMBLED)**



**ISO VIEW
(EXPLODED)**

ALTERNATE CONFIGURATION TO MEET NSF/ANSI STANDARD 61 AVAILABLE

TOP LEVEL ASSEMBLY		
ITEM NO.	DESCRIPTION	QTY.
1	5G GEMINI ² , INNER TANK	1
2	5G GEMINI ² , OUTER TANK	1
3	4" TWIST LID ASSEMBLY	1
4	Ø2" FNPT SPIN WELD FITTING, PE, BLACK	1
5	Ø2" MPT PLUG, PE, BLACK	1
6	1-1/4" CAPLUG / GROMMET SUB-ASSY	1
7	Ø3/4" FNPT SPIN WELD FITTING, PE	1
8	Ø3/4" MPT PLUG, PE, BLACK	1
9	RED CAPLUG / O-RING SUB-ASSY	1
10	GEMINI ² MOLD IN LOGO	1

- NOTES:**
- CAPACITY: 5 GAL. NOMINAL
 - APPROXIMATE WEIGHT: 12 LBS
 - TANK MATERIAL: LLDPE W/ UV INHIBITOR
 - SERVICE PRESSURE: ATMOSPHERIC

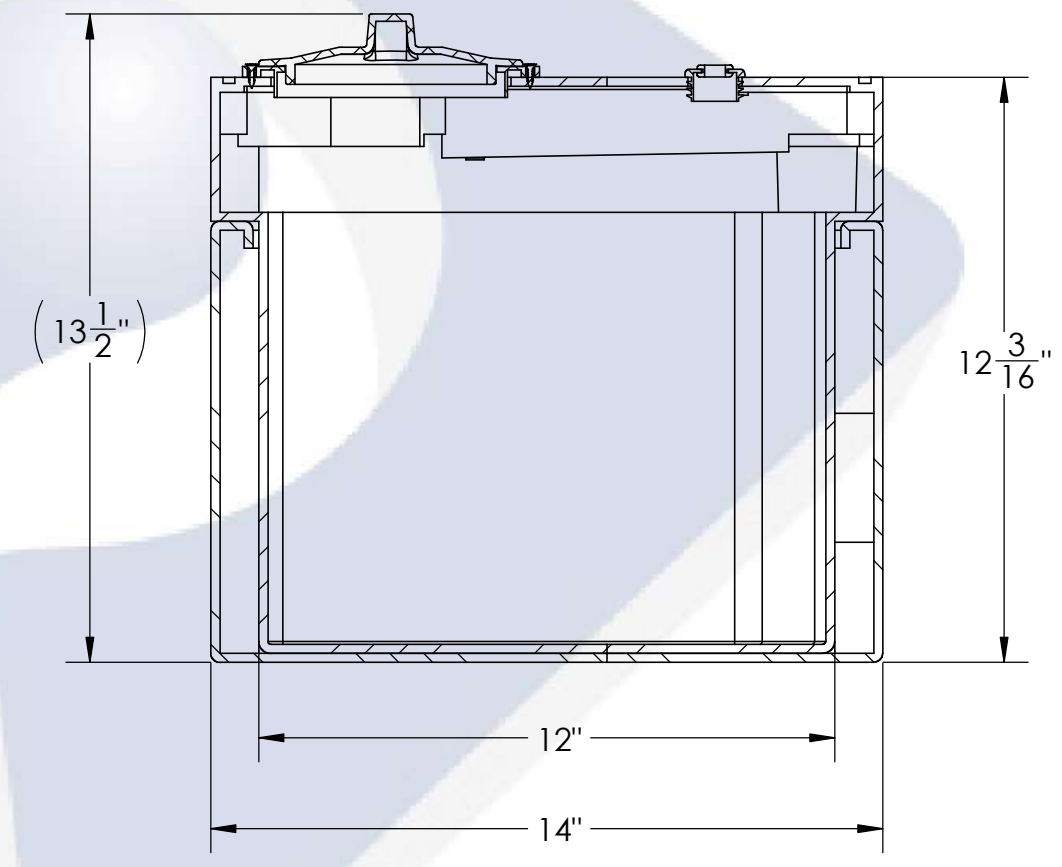
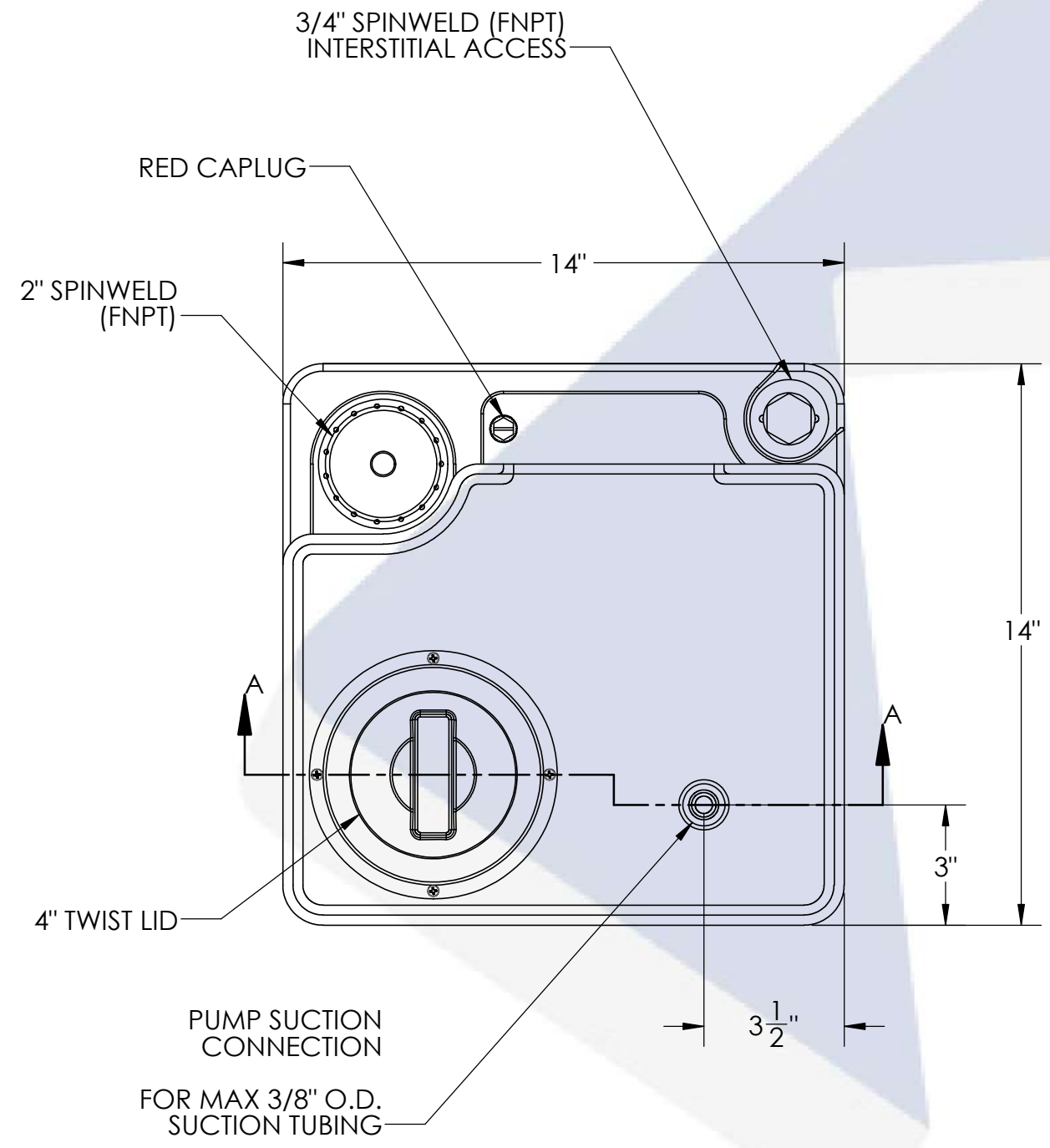
PROPRIETARY AND CONFIDENTIAL
 THE INFORMATION CONTAINED IN THIS DRAWING IS THE SOLE PROPERTY OF PEABODY ENGINEERING. ANY REPRODUCTION IN PART OR AS A WHOLE WITHOUT THE WRITTEN PERMISSION OF PEABODY ENGINEERING IS PROHIBITED.

UNLESS OTHERWISE SPECIFIED:		NAME	DATE		
DIMENSIONS ARE IN INCHES TOLERANCES: ±1/4" ANGULAR: ±.5° ONE PLACE DECIMAL: ±.25 TWO PLACE DECIMAL: ±.125 THREE PLACE DECIMAL: ±.063		DRAWN	MSM 7/29/15		PROJECT: 5 GALLON GEMINI TANK ASSEMBLY
TANK MATERIAL: LLDPE		CHECKED			CUSTOMER: PEABODY STANDARD
INNER TANK S/N:		ENG APPR.			SITE/LOCATION: -
OUTER TANK S/N:		MFG APPR.		DRAWING#: SEE TABLE	
CUSTOMER PO#		Q.A.		SIZE B	
DO NOT SCALE DRAWING		ALTERNATIVE VERSIONS MATERIALS: XLPE, PPL, PVDF COLORS: NATURAL, BLUE OR BLACK AVAILABLE WITH FRP WRAP CALL FOR PART NUMBERS		DESC. PEABODY 5 GALLON GEMINI ² TANK ASSEMBLY REV. A	
			SCALE: 1:6	SHEET 1 OF 2	

8 7 6 5 4 3 2 1

D
C
B
A

D
C
B
A



PROJECT:
5G GEMINI², ASSEMBLY FOR CUSTOMER, REV A

SCALE: 1:4

SHEET 2 OF 2

8 7 6 5 4 3 2 1