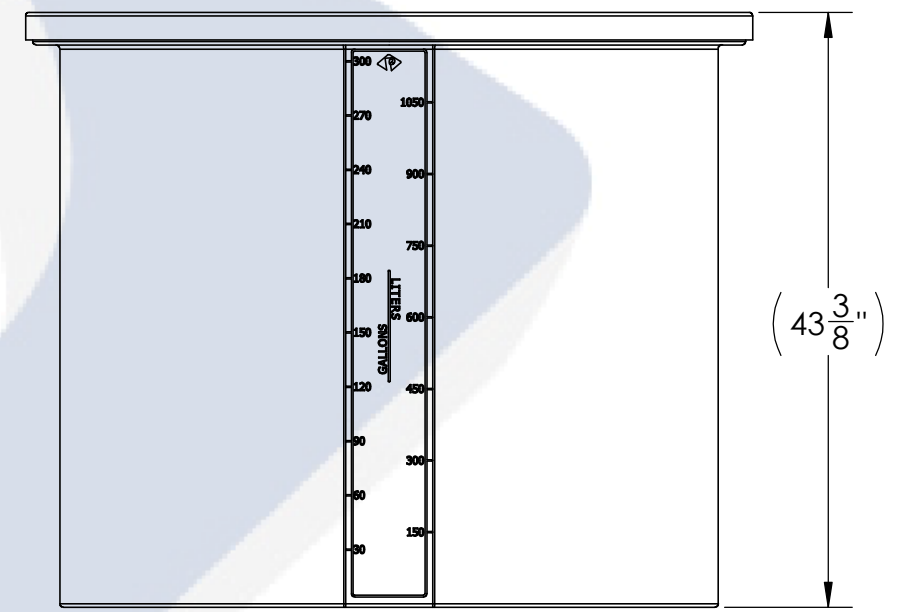
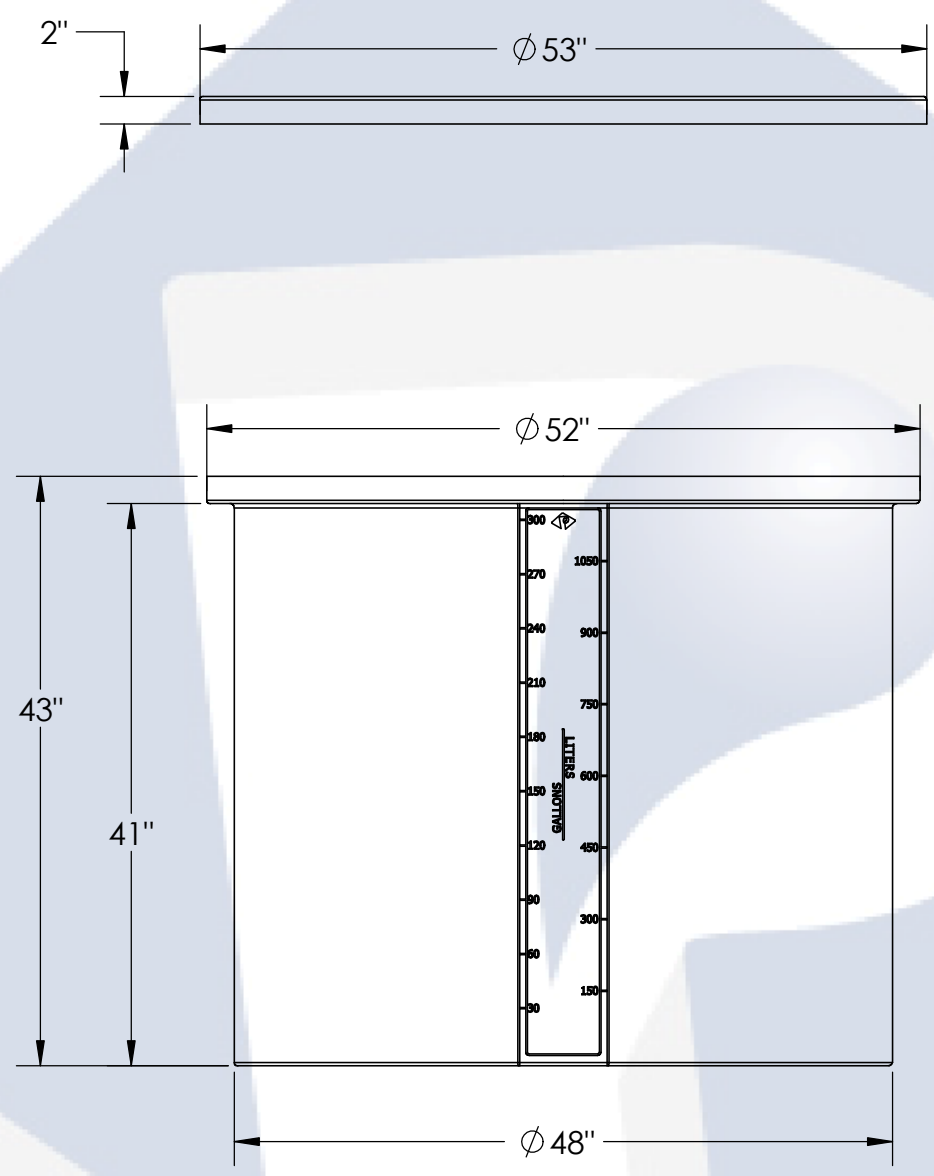
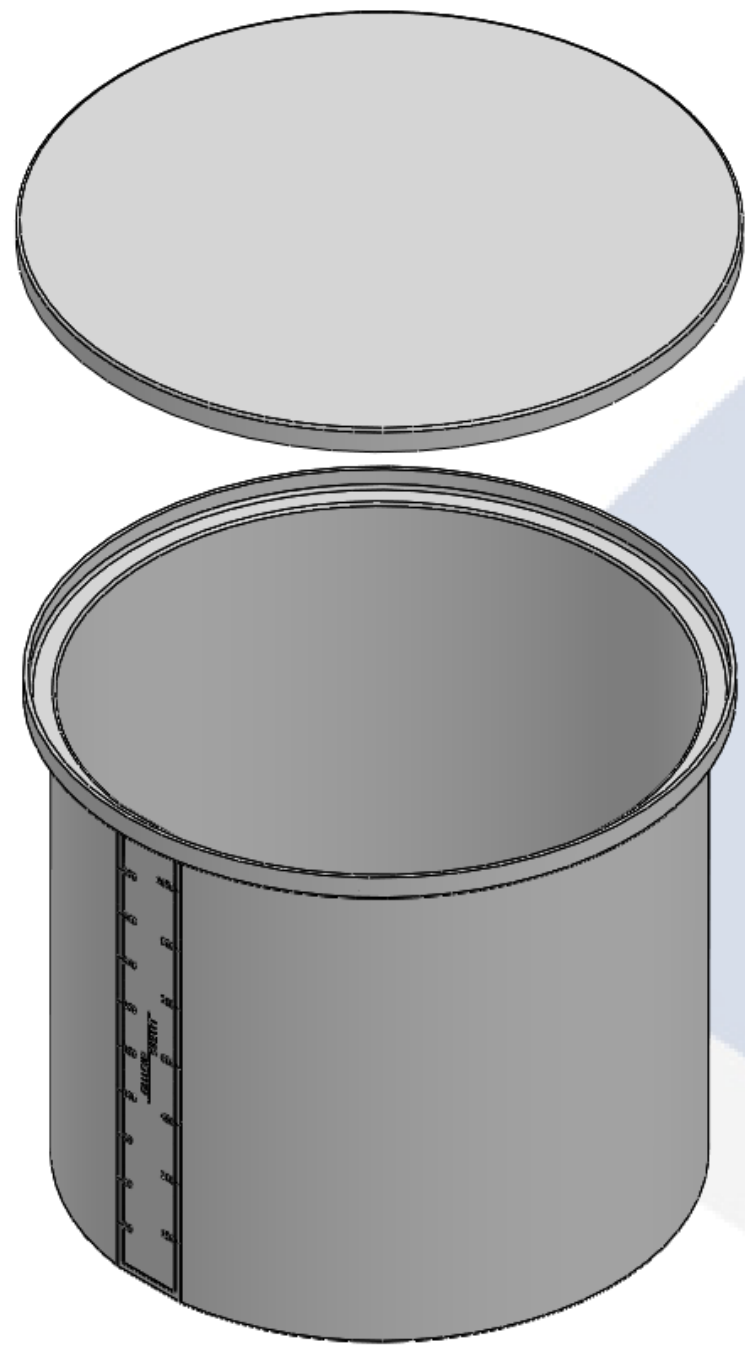


300 GALLON OPEN TOP	PART NUMBER	
	BLUE	NATURAL
STANDARD (1.5 SPG)	01-29605	01-29052



- NOTES:**
- CAPACITY: 300 GAL. NOMINAL
 - APPROXIMATE WEIGHT: 100 LBS
 - TANK MATERIAL: HDLPE W/ UV INHIBITOR
 - SERVICE PRESSURE: ATMOSPHERIC

PROPRIETARY AND CONFIDENTIAL
 THE INFORMATION CONTAINED IN THIS DRAWING IS THE SOLE PROPERTY OF PEABODY ENGINEERING. ANY REPRODUCTION IN PART OR AS A WHOLE WITHOUT THE WRITTEN PERMISSION OF PEABODY ENGINEERING IS PROHIBITED.

UNLESS OTHERWISE SPECIFIED:		NAME	DATE	
DIMENSIONS ARE IN INCHES TOLERANCES: ±1/4" ANGULAR: ±.5° ONE PLACE DECIMAL: ±.25 TWO PLACE DECIMAL: ±.125 THREE PLACE DECIMAL: ±.063		DRAWN	MSM 11/25/13	
TANK MATERIAL: HDPE	INNER TANK S/N:	CHECKED		PROJECT: 300 GALLON OPEN TOP TANK ASSEMBLY
OUTER TANK S/N:	CUSTOMER PO#	ENG APPR.		CUSTOMER: PEABODY STANDARD
DO NOT SCALE DRAWING		MFG APPR.		SITE/LOCATION: -
		Q.A.		DRAWING#: SEE TABLE
		ALTERNATIVE VERSIONS		SIZE: B
		MATERIALS: XLPE, PPL, PVDF COLORS: NATURAL, BLUE OR BLACK AVAILABLE WITH FRP WRAP		DESC. PEABODY 300 GALLON OPEN TOP
		CALL FOR PART NUMBERS		REV. B
		SCALE: 1:14		SHEET 1 OF 1