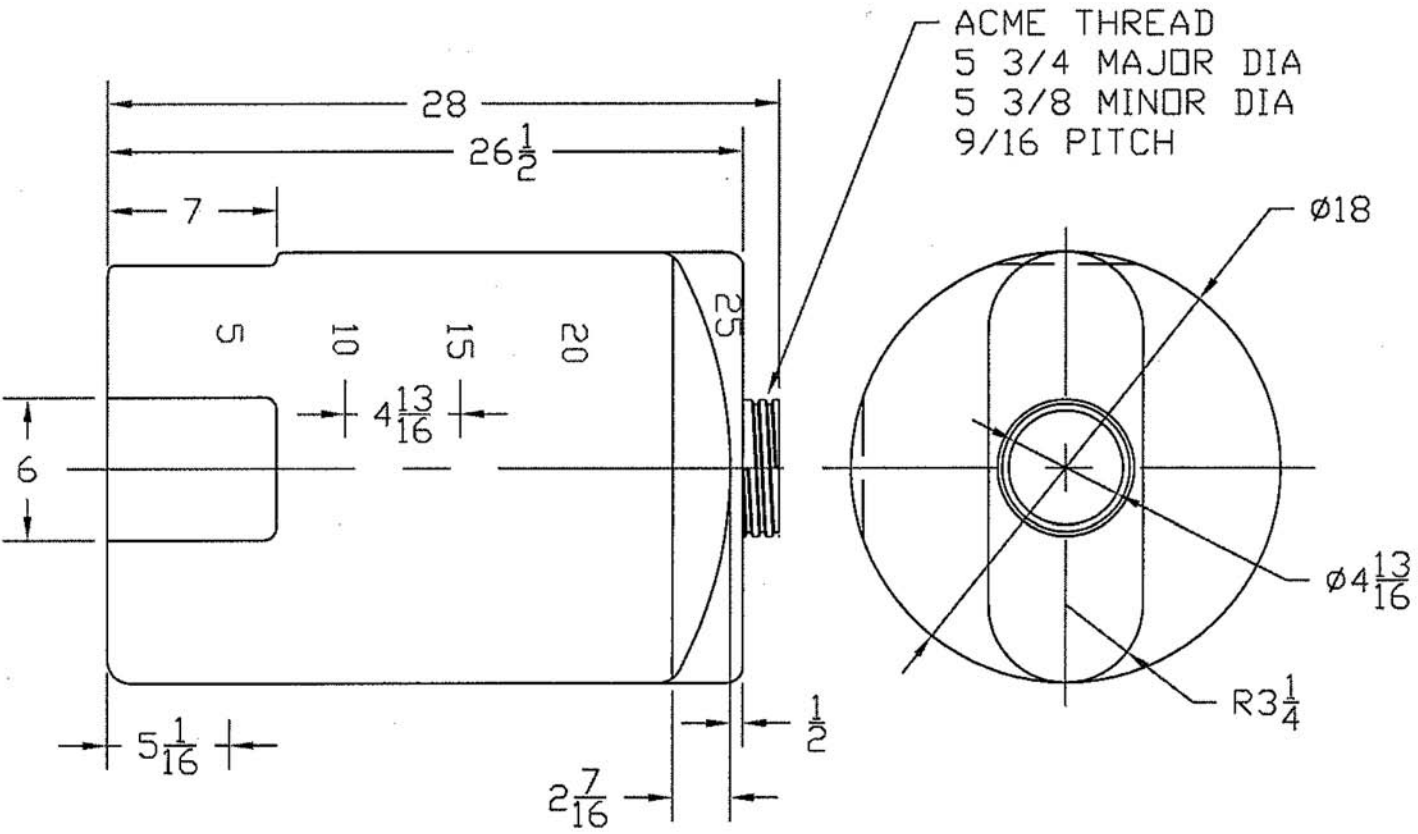


REVISIONS

ZONE	REV	DESCRIPTION	DATE	APPROVED



25 GALLON VERTICAL TANK

JTP	10JUL03	SIZE A	FSCM NO.	DWG NO.	REV
SCALE 1/8			SHEET		