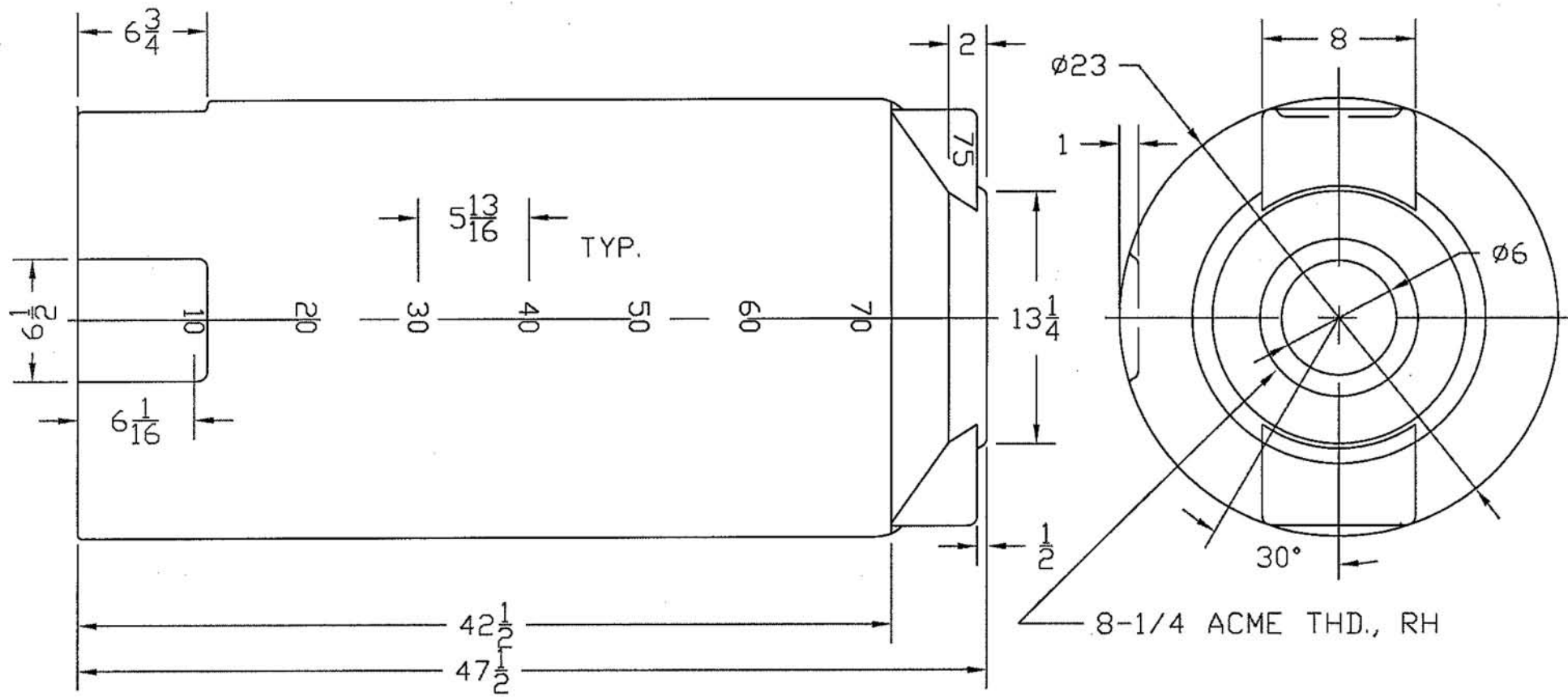



REVISIONS				
ZONE	REV	DESCRIPTION	DATE	APPROVED



		75 GALLON VERTICAL STORAGE TANK		
		SIZE A	FSCM NO.	DWG NO.
JTP	22AUG03	SCALE 1/8	SHEET	