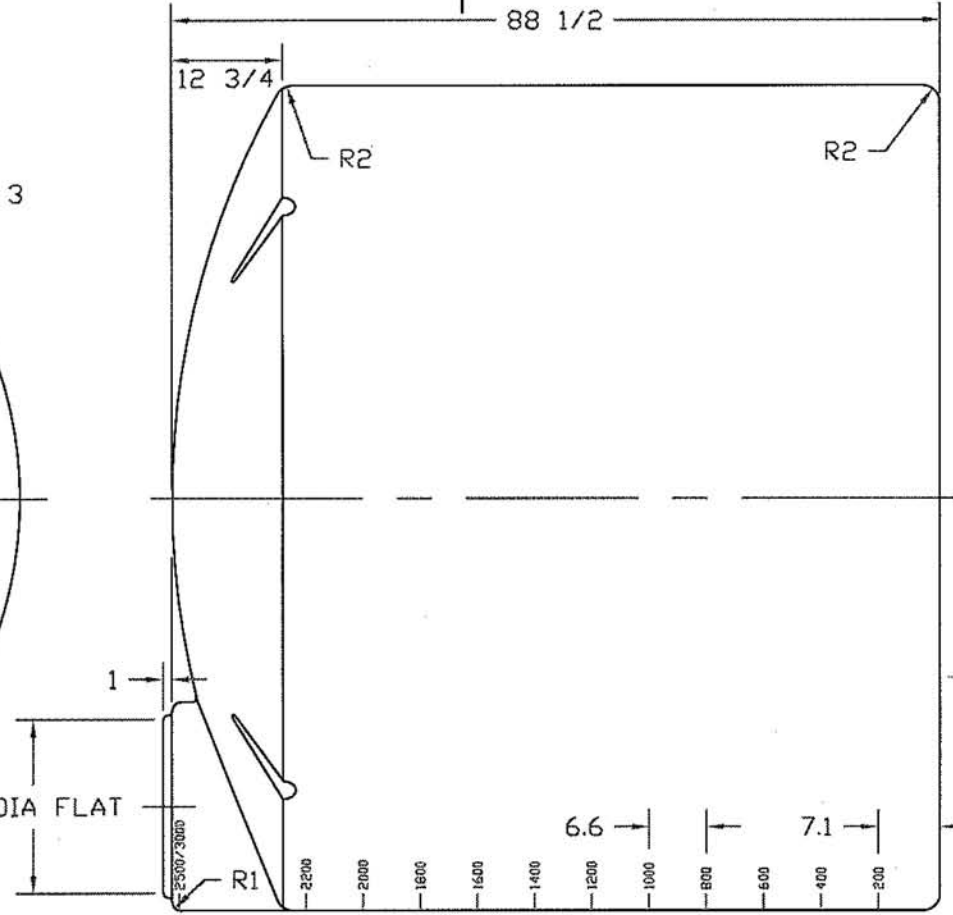
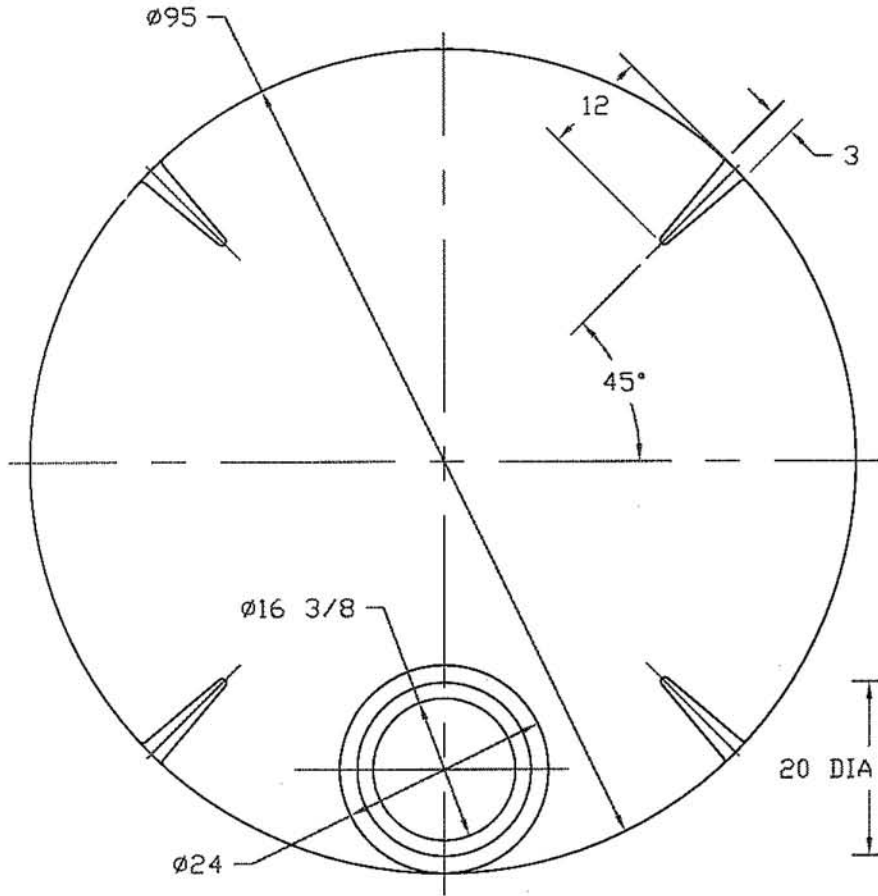



REVISIONS				
ZONE	REV	DESCRIPTION	DATE	APPROVED
	C	REDRAWN	1MAY96	



		 <b>PEABODY</b> engineering	
<b>2500 GALLON VERTICAL STORAGE TANK</b>			
JTP	1MAY96	SIZE B	FSCM NO.
		DWG NO.	REV C
		SCALE 1/16	SHEET