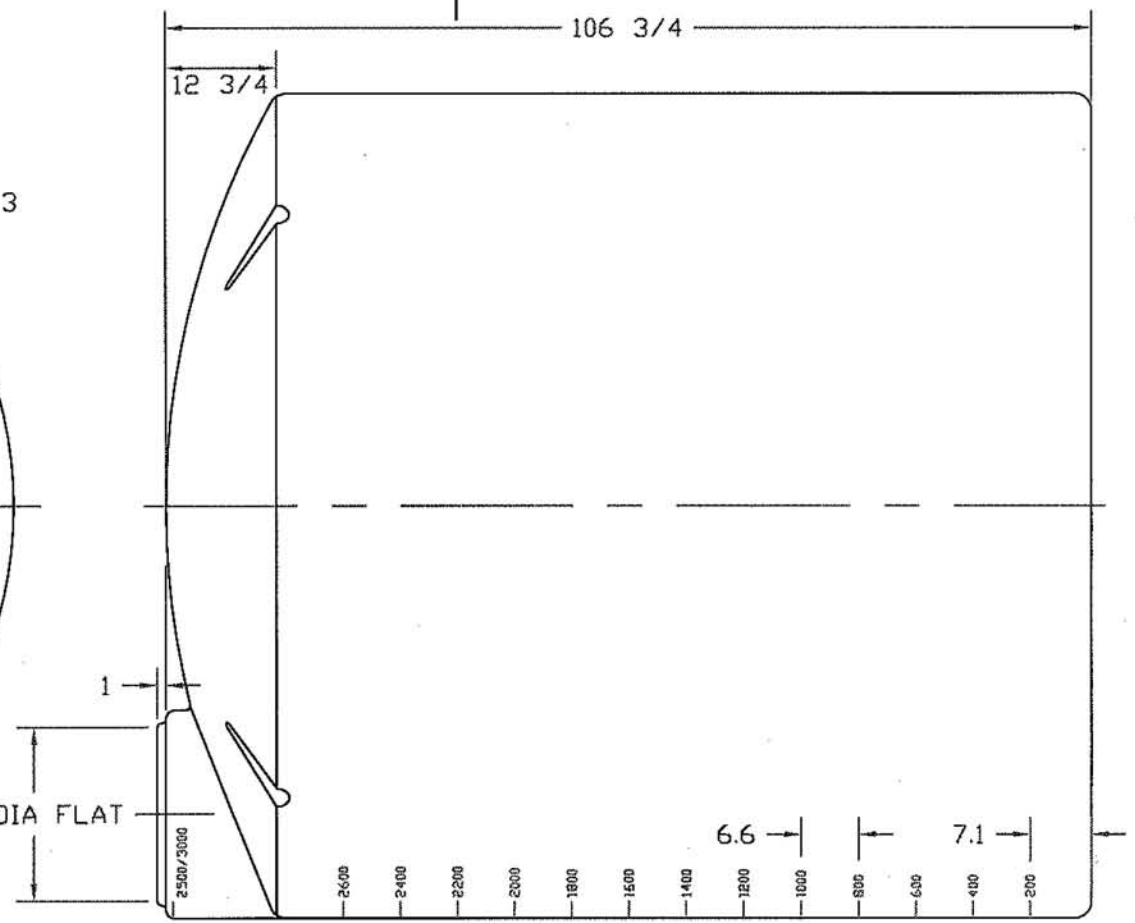
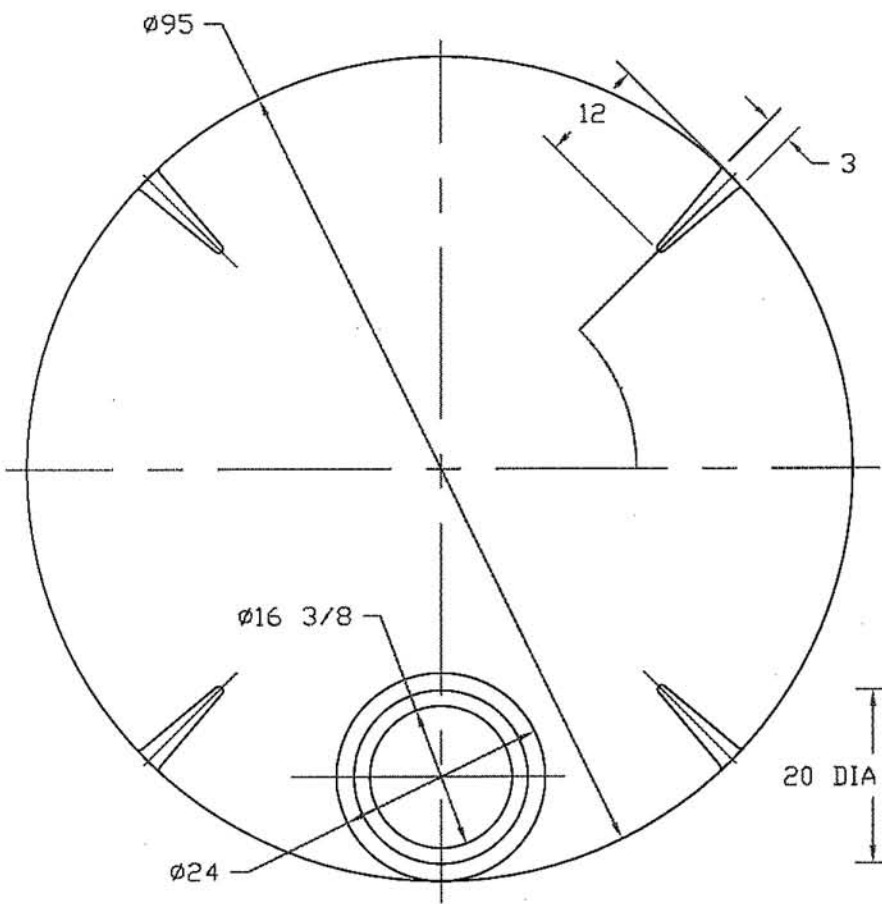



REVISIONS				
ZONE	REV	DESCRIPTION	DATE	APPROVED
	C	REDRAWN	1MAY96	



JTP 1MAY96				3000 GALLON VERTICAL STORAGE TANK	
				SIZE B	FSCM NO.
SCALE 1/16				SHEET	