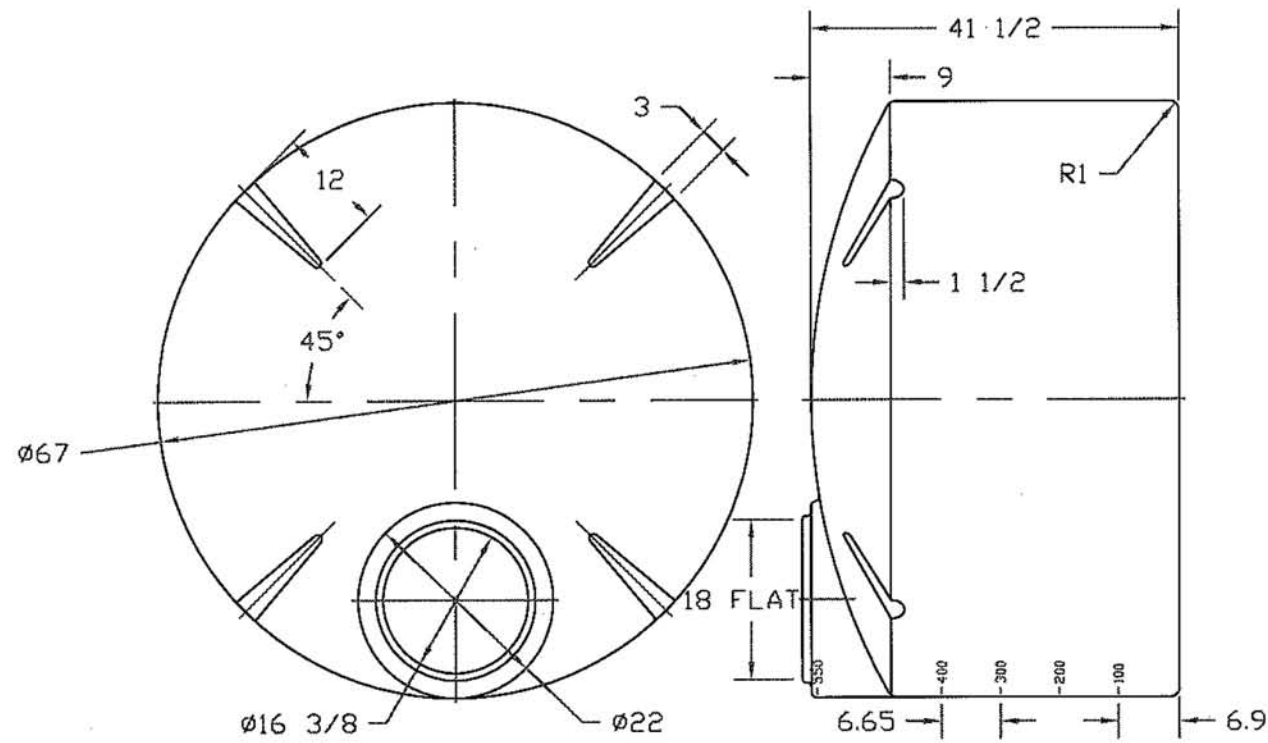



REVISIONS				
ZONE	REV	DESCRIPTION	DATE	APPROVED
	B	REDRAWN	02 JAN 97	



		 PEABODY engineering	
550 GALLON VERTICAL TANK			
JTP	02JAN97	SIZE B	FSCM NO.
		DWG NO.	REV B
		SCALE 1/16	SHEET