

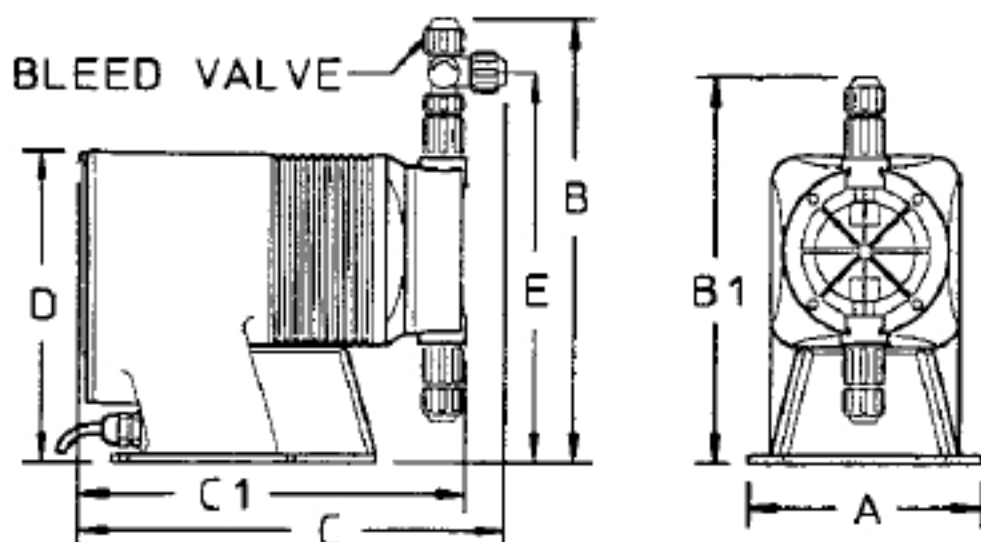


PEABODY

engineering

No Boundaries.

Dimensions



Series E Plus Dimensions (inches)

Model No.	A	B	B1	C	C1	D	E	Shpg Wt	Model No.	A	B	B1	C	C1	D	E	Shpg Wt
LPA2	5.4	10.3	-	10.8	-	7.5	8.9	13	LPH4	6.2	10.9	-	11.2	-	8.2	9.5	21
LPA3	5.4	10.6	-	10.7	-	7.5	9.2	13	LPH5	6.2	11.3	-	11.2	-	8.2	9.9	21
LPB2	5.4	10.3	-	10.8	-	7.5	8.9	13	LPH6	6.2	11.3	-	11.9	-	8.2	9.9	21
LPB3	5.4	10.6	-	10.7	-	7.5	9.2	13	LPH7	6.1	11.7	-	11.9	-	8.2	10.3	21
LPB4	5.4	10.6	-	10.7	-	7.5	9.2	13	LPH8*	6.1	-	10.9	-	11.3	8.2	-	26
LPD3	5.4	10.6	-	11.2	-	7.5	9.2	15	LPK2	5.4	10.3	-	10.8	-	7.5	8.9	13
LPD4	5.4	10.6	-	11.2	-	7.5	9.2	15	LPK3	5.4	10.6	-	10.7	-	7.5	9.2	13
LPE4	5.4	10.6	-	11.2	-	7.5	9.2	15	LPK5	5.4	10.9	-	11.7	-	7.5	9.5	18
LPF4	5.4	10.6	-	11.7	-	7.5	9.2	18	LPK7	6.1	11.7	-	11.2	-	8.2	10.3	21
LPG4	5.4	10.6	-	11.7	-	7.5	9.2	18									

NOTE: Inches X 2.54 = cm / * the LPH8 is designed without a bleed valve available

13435 Estelle St. | Corona | CA | 92879-1877

Ph: 800-473-2263 | Fax: 951-734-4111

www.etanks.com | Email: sales@etanks.com