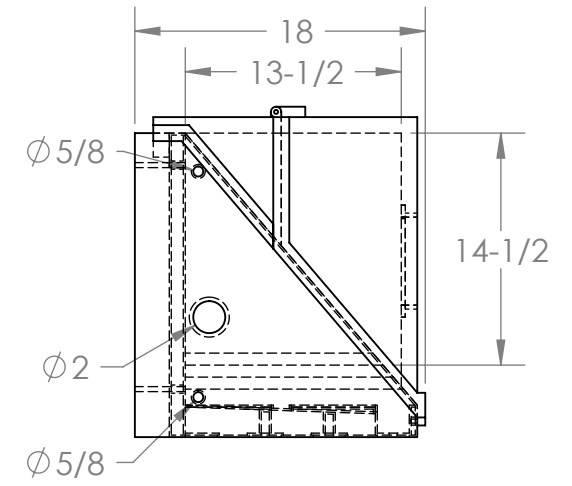
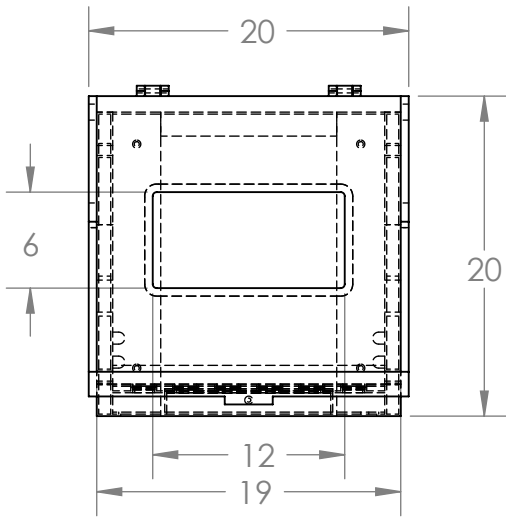
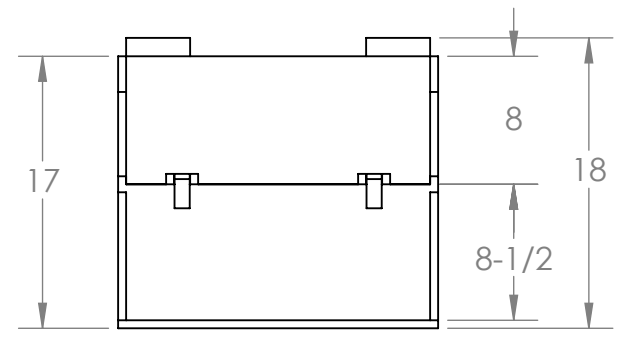
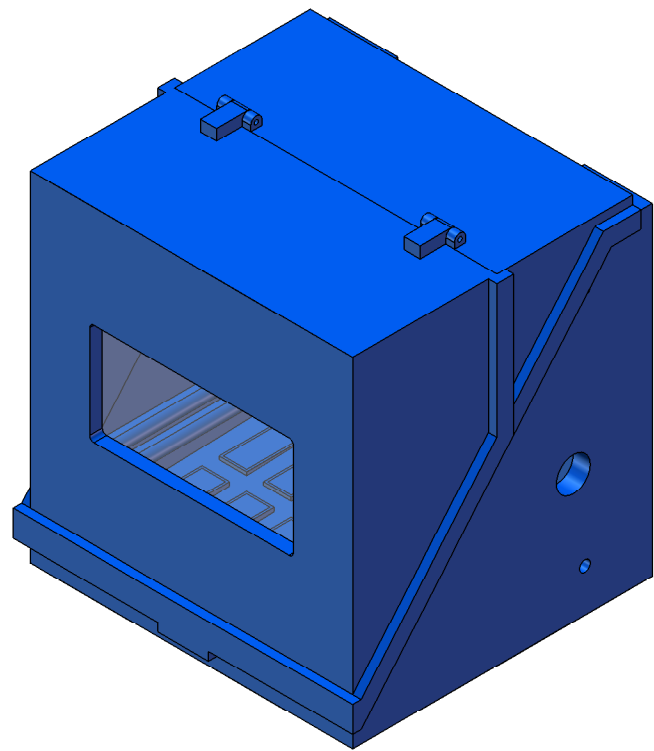



8 7 6 5 4 3 2 1

D
C
B
A



PROPRIETARY AND CONFIDENTIAL
 THE INFORMATION CONTAINED IN THIS DRAWING IS THE SOLE PROPERTY OF PEABODY ENGINEERING. ANY REPRODUCTION IN PART OR AS A WHOLE WITHOUT THE WRITTEN PERMISSION OF PEABODY ENGINEERING IS PROHIBITED.

UNLESS OTHERWISE SPECIFIED:		NAME	DATE	Peabody Engineering 13435 Estelle St. Corona, CA 92878-1877 951.734.7711 etanks.com	
DIMENSIONS ARE IN INCHES TOLERANCES: 1/16" FRACTIONAL ± ANGULAR: MACH ± BEND ± TWO PLACE DECIMAL ± THREE PLACE DECIMAL ±		DRAWN	K.P.		
INTERPRET GEOMETRIC TOLERANCING PER:		CHECKED		COMMENTS:	TITLE: Pump Step
MATERIAL		ENG APPR.			
FINISH		MFG APPR.			
APPLICATION		Q.A.		DO NOT SCALE DRAWING	
© 2007 Peabody Engineering & Supply, Inc. All rights reserved.				SIZE	DWG. NO.
				B	
				WEIGHT:	REV
					B
					SHEET 1 OF 1

8 7 6 5 4 3 2 1